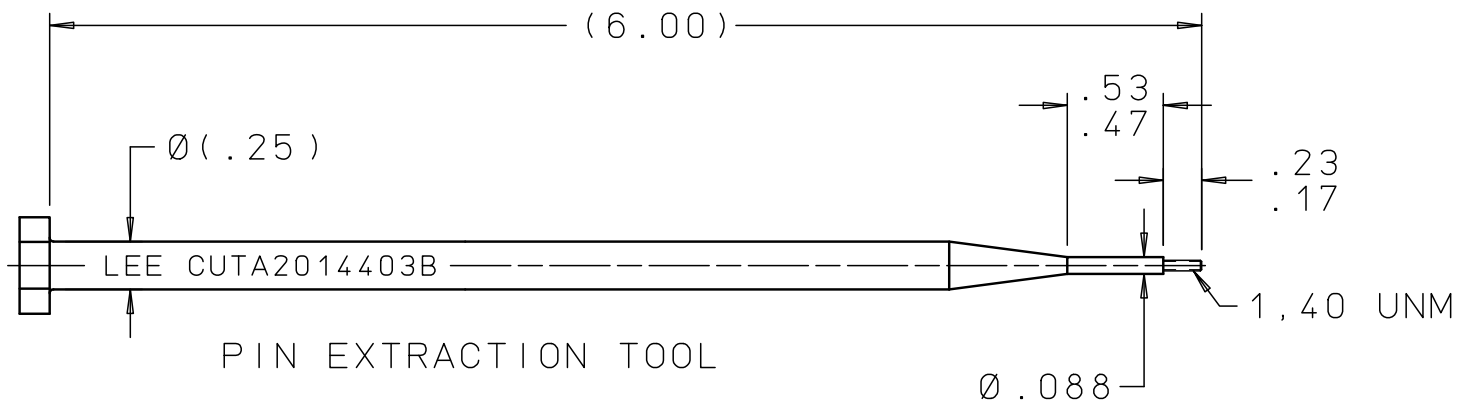
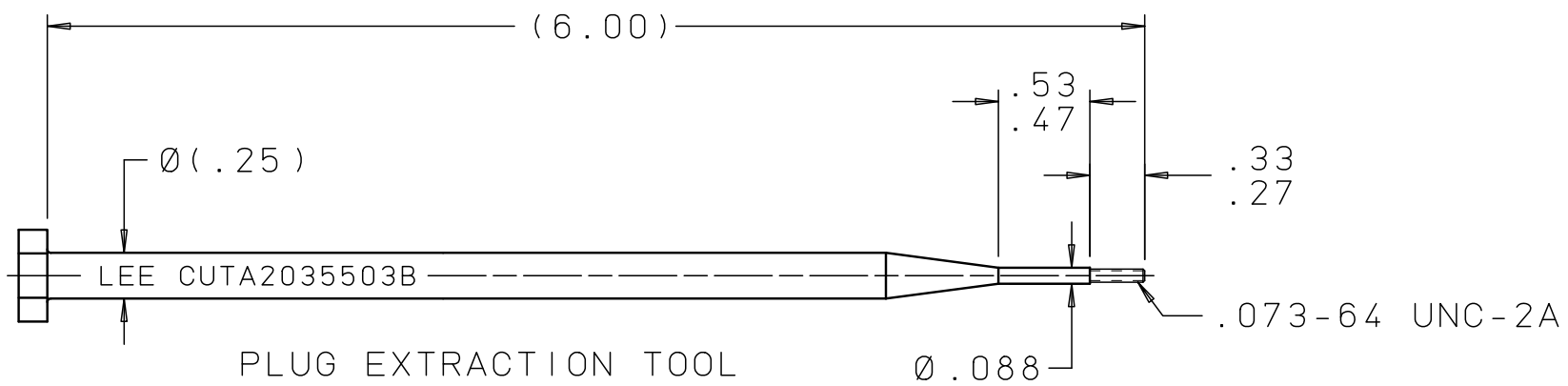


CUTA0930103B

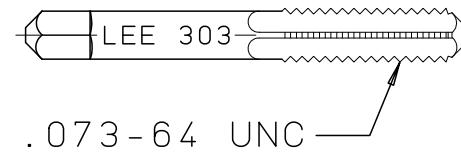
REV	DATE	BY	DESCRIPTION
C	10-05-10	KD	PIN EXT TOOL; ADDED .53-.47 & .23-.17. DELETED REV LETTER FROM MARKING. REMOVED HEX & ADDED 2 FLATS. PLUG EXT TOOL; ADDED .53-.47 & .33-.27. DELETED REV LETTER FROM MARKING. REMOVED HEX & ADDED 2 FLATS. STRIKER; Ø(1.50) WAS Ø1.50 & (1.25) WAS 1.25. DELETED REV LETTER FROM MARKING.



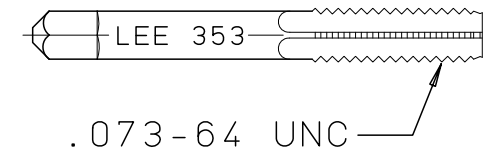
PIN EXTRACTION TOOL



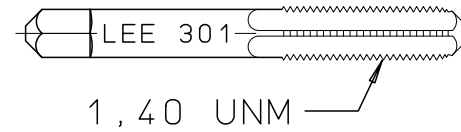
PLUG EXTRACTION TOOL



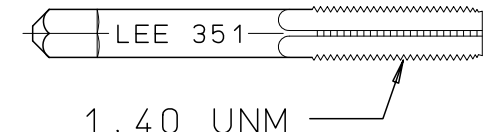
STARTER TAP PLUG EXTRACTION (CUTA3035503B)



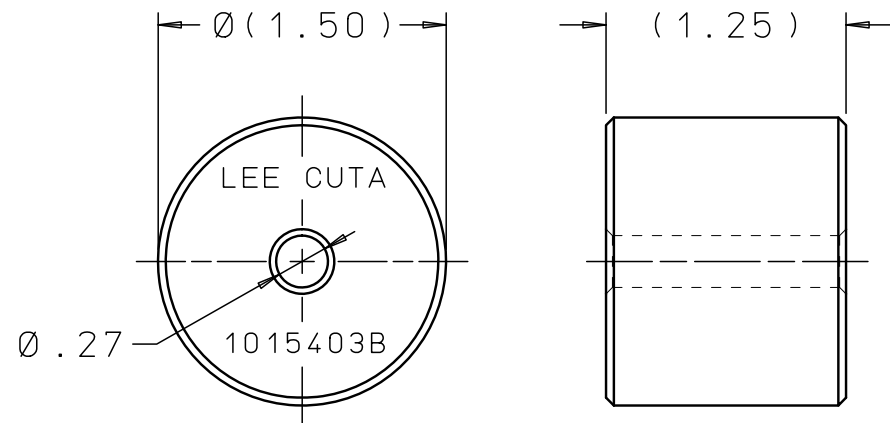
BOTTOMING TAP PLUG EXTRACTION (CUTA3535503B)



STARTER TAP PIN EXTRACTION (CUTA3014403B)



BOTTOMING TAP PIN EXTRACTION (CUTA3514403B)



STRIKER

PROPRIETARY ITEM

This document contains proprietary information and is submitted upon the express condition that the information contained herein will not be used directly or indirectly in any way detrimental to the interests of The Lee Company, and/or in violation of regulation DAR 7-104.9(a)(1 July 1974), et seq.

CUTD0930103
REFERENCE

DWG NO: CUTA0930103B

NOTES AND DIMENSIONS SHOWN HERE ON ARE FOR INSPECTION IDENTIFICATION ONLY. ALL MANUFACTURING RIGHTS RESERVED.

EXTERNAL CORNER RAD:
INTERNAL FILLET RAD:

SURFACE FINISH ✓ ALL OVER
DIMENSIONS ARE IN INCHES

TOLERANCES
2 PLACES ±.015 3 PLACES ±.005 ANGLES ±5°

DRAWN BY:	KMS	08-11-76
CHK'D BY:	ECB	08-12-76
APP'D BY:	G L	08-16-76

MAT:

H.T.:

FINISH:

LEE TOOL SET - EXTRACTION



THE LEE COMPANY
WESTBROOK, CT 06498

SIZE	CAGE CODE	DWG NO.	REV
B	92555	CUTA0930103B	C

DWG SCALE: NONE

SHEET 1 OF 1