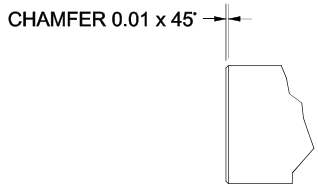
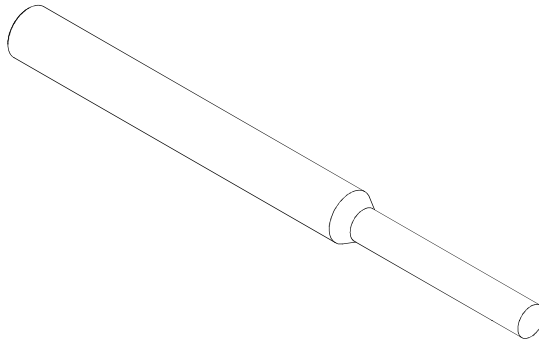
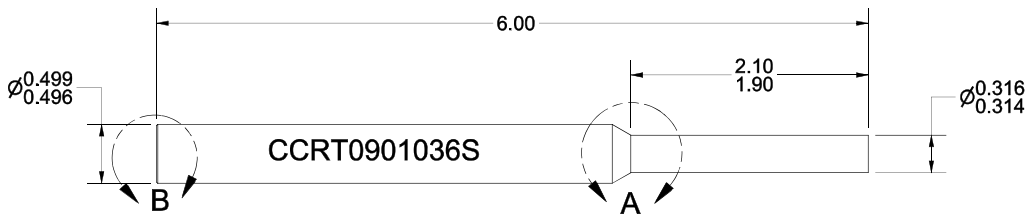
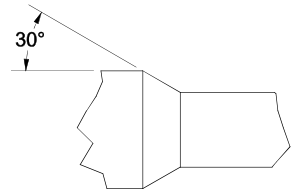



Revision Info.	
Rev	Change Description
A	Initial release



DETAIL B
SCALE 2 : 1



DETAIL A
SCALE 2 : 1

THIRD ANGLE PROJECTION	UNLESS OTHERWISE SPECIFIED EXTERNAL RADIUS INTERNAL FILLET R SURFACE FINISH MAXIMUM	Author Vernon, Jon Origination Date 7/14/2004 Modification Date 7/28/2023	 The Lee Company Industrial Microhydraulics Group Technical Center Westbrook, CT 06498 / U.S.A.	
CODE IDENT NO. NUMBER OS730	CRITICAL CHARACTERISTICS	MATL. A2 Tool Steel	TITLE: INSTALLATION TOOL, 8MM INSERT SCREEN	
Sheet Size B	PROPRIETARY ITEM This document contains proprietary information and is submitted upon the express condition that the information contained herein will not be used directly in any way detrimental to the interests of The Lee Company and/or in violation of regulation DAR 7-104.9 (d) (1 July 1974), et seq.	FINISH	DO NOT SCALE DRAWING	-FMF / Used On- -Lee 8MM Screen Product
		DIMENSIONS ARE IN INCHES TOLERANCES 2PL 3PL 4PL ANG ±.01 ±.003 ±.0010 ±2*	Part Number CCRT0901036S REV. State Released	REV. A SHEET 1 of 1 SCALE: 1:1