

## 250 SERIES SOLENOID VALVE

The Lee Company's newest 250 Series Solenoid Valve combines the added porting flexibility of our Flange Mount 250 Series Solenoid Valve with our field proven Piloting Solenoid coil. The one-piece MultiSeal provides reliable sealing both axially and radially minimizing the size of the hydraulic interface. It's omni-directional design allows porting flexibility without the need for O-Rings or anti-Extrusion Rings.

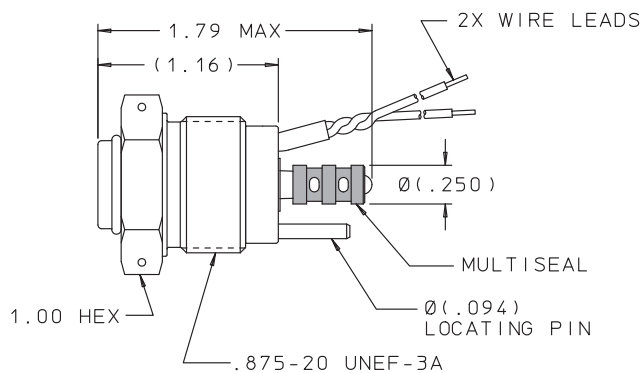
Available in normally open and normally closed models, the single coil 250 Series Solenoid Valve weighs only 0.14 pounds and consumes just 7.8 watts at 28 Vdc.

Please contact your local Lee Sales Engineer for additional information and technical assistance.

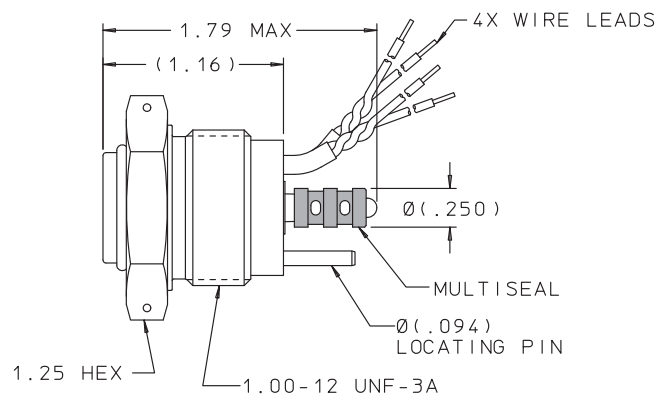
- 2 position, 3-way, 3000 psi
- Captive retainer nut (no special tools required)
- 3500 Lohm restriction (0.3 GPM minimum flow at 3000 psid)
- 18 - 32 Vdc, 7.8 Watts
- -65°F to +275°F temperature range
- Integral safety screen, 0.004 inch hole size
- 0.14 lbs. maximum weight, single coil version
- Endurance tested to 1,000,000 cycles



**Single Coil Solenoid Valve**



**Dual Coil Solenoid Valve**



SINGLE COIL VALVES		
PART NUMBER	TYPE	TEST FLUID
SDBB2531002A	Normally Open	Phosphate Ester
SDBB2531003A	Normally Closed	Phosphate Ester
SDBB2531012A	Normally Open	MIL-PRF-5606, MIL-PRF-83282
SDBB2531013A	Normally Closed	MIL-PRF-5606, MIL-PRF-83282

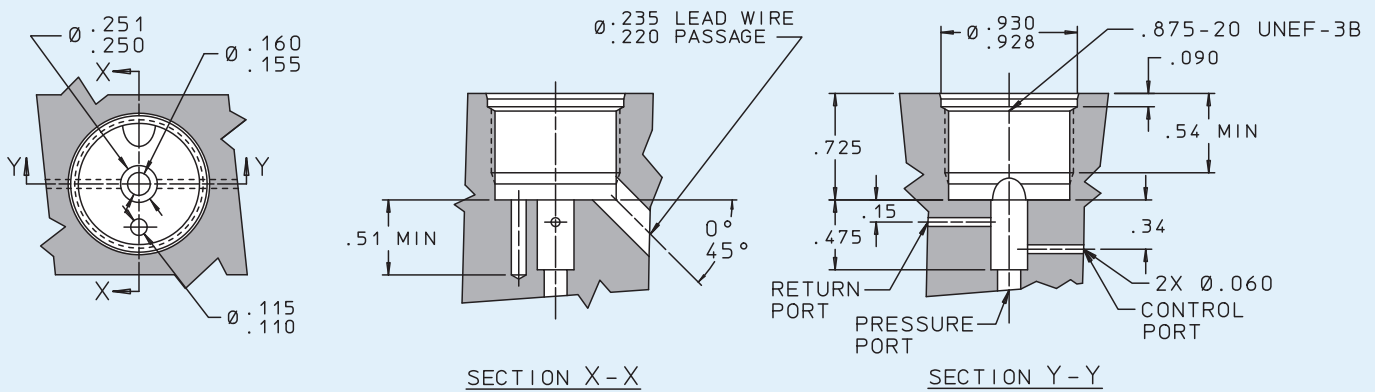
DUAL COIL VALVES		
PART NUMBER	TYPE	TEST FLUID
SDBB2532002A	Normally Open	Phosphate Ester
SDBB2532003A	Normally Closed	Phosphate Ester
SDBB2532012A	Normally Open	MIL-PRF-5606, MIL-PRF-83282
SDBB2532013A	Normally Closed	MIL-PRF-5606, MIL-PRF-83282

# 250 SERIES SOLENOID VALVE

## SPECIFICATIONS

Type:	2 position, 3-way	Voltage:	18 Vdc to 32.2 Vdc
Pressure:	3000 psid operating 4050 psid maximum transient 4500 psi proof 7500 psi burst	Current Drain:	Single Coil – 0.28 Amps at 28 Vdc and 70°F (7.8 Watts) Dual Coil – 0.35 Amps per coil at 28 Vdc and 70°F (9.8 Watts)
Temperature:	-65°F to +275°F	Weight:	Single Coil - 0.14 lbs. maximum Dual Coil - 0.21 lbs. maximum
Flow Restriction:	3500 Lohms	Materials:	Magnetic path – Nickel plated silicon iron Flow path – Stainless steels MultiSeal – Polyamide-imide Threaded retainer nut – Anodized aluminum
Leakage:	2 cc/minute maximum internal at 3000 psi, zero external		

### INSTALLATION HOLE - SINGLE COIL VALVE



### INSTALLATION HOLE - DUAL COIL VALVE

